

SRD mini

User's Manual

English

Preface

Thank you for purchasing our product. In order to use it better and safer, please read the user manual carefully.

Scope of Application

This user manual is specifically tailored for the SRD mini radio frequency (RF) splitter system manufactured by Shenzhen Aputure Innovation Technology Co., Ltd. (hereinafter referred to as Aputure). It outlines its dimensions, features, technical specifications, and precautions.

Thank you for purchasing DEITY's product. We proudly offer the SRD mini radio frequency splitter, which utilizes the latest ultra-low noise figure and high-linearity RF amplifiers. It operates within the frequency range of 470MHz to 1GHz, serving as a band-pass filtered UHF RF signal splitter based on this unit.

Important Instructions

- Please read this user manual carefully and keep it properly.
- When handing over the product to others for use, please make sure to include this user manual.
- Please pay attention to all warnings and follow all instructions in this user manual.
- Warning: Do not place this product in an area with corrosive chemicals as it may corrode and cause malfunction.
- Please use a soft and dry cloth to clean this product.
- This product is a precision instrument. Avoid dropping, bumping, or subjecting it to heavy impacts.
- Keep the product away from liquids as they may cause electrical short circuit or structural damage. Store this product in a dry, clean, and dust-free environment.
- Contact authorized service personnel for repairs. This product contains delicate electronic circuits. Unauthorized disassembly resulting in malfunctions is not covered under our warranty, but repairs can be done at a fee.
- This product has been certified by CE, FCC, RCM, UKCA, ROHS, Quality Inspection Report, China ROHS, and IC Verification. Please refer to relevant national standards for use and operation. Damage caused by improper use or operation is not covered under the warranty, but repairs can be done at a fee.
- This user manual is based on strict testing conducted by our company. Designs and specifications are subject to change without notice.

FCC Compliance Statement

This product complies with the regulations set out in Part 15 of the FCC Rules. To operate this product, the following two conditions must be met:

- (1) This device may not cause harmful interference;
- (2) This device must accept any interference, including interference that may cause undesired operation.

[Warning] If the user modifies or adapts the device without explicit permission from DEITY, they may lose the right to continue operating the device.

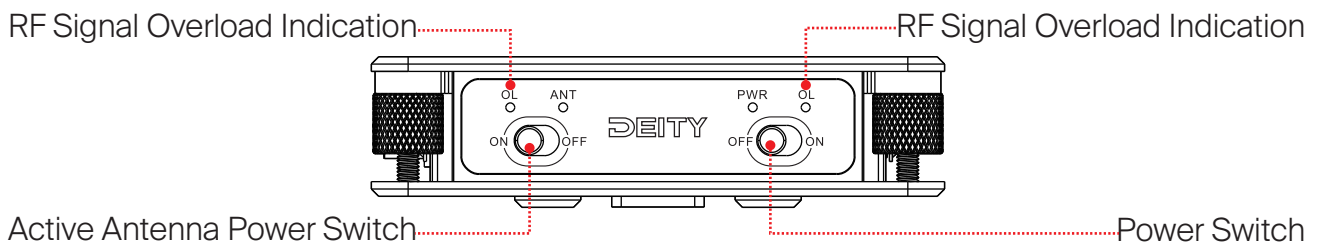
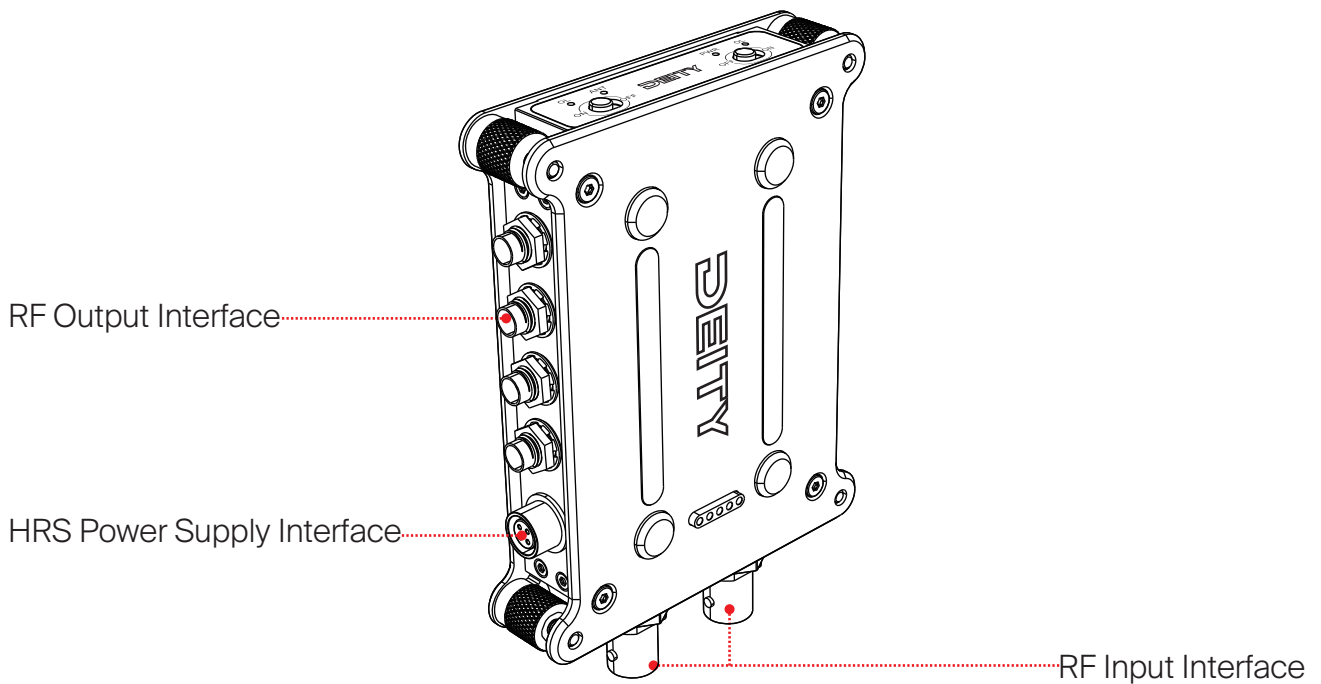
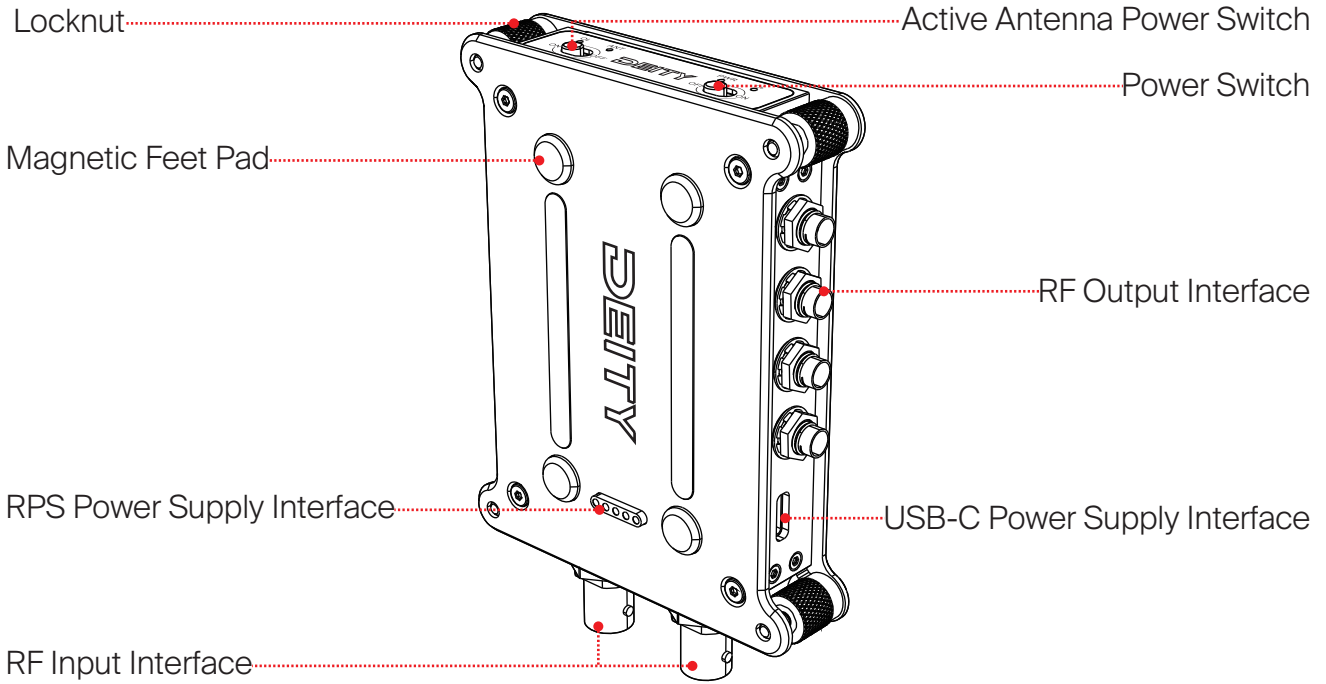
[Note] This device has been tested and determined to comply with the limitations for a Class B digital device, as specified in Part 15 of the FCC Rules. These limitations are designed to provide reasonable protection against harmful interference in a residential installation. This equipment generates, uses, and can radiate radio frequency energy. If not installed and used as indicated, it may cause harmful interference to radio communications. However, there is no guarantee that interference will not occur under specific installation conditions. If this equipment does cause harmful interference to radio or television reception, which can be determined by turning the equipment off and on, the user is advised to try to correct the interference by one or more of the following measures:

- Reorienting or relocating the receiving antenna.
- Increasing the distance between the equipment and the receiver.
- Connecting the equipment into an outlet on a circuit different from that to which the receiver is connected.
- Consulting the dealer or an experienced radio/TV technician for help.

FCC radiation exposure statement

This equipment meets the radiation exposure limits set by the FCC for uncontrolled environments. The user must comply with the specific instructions for RF exposure compliance.

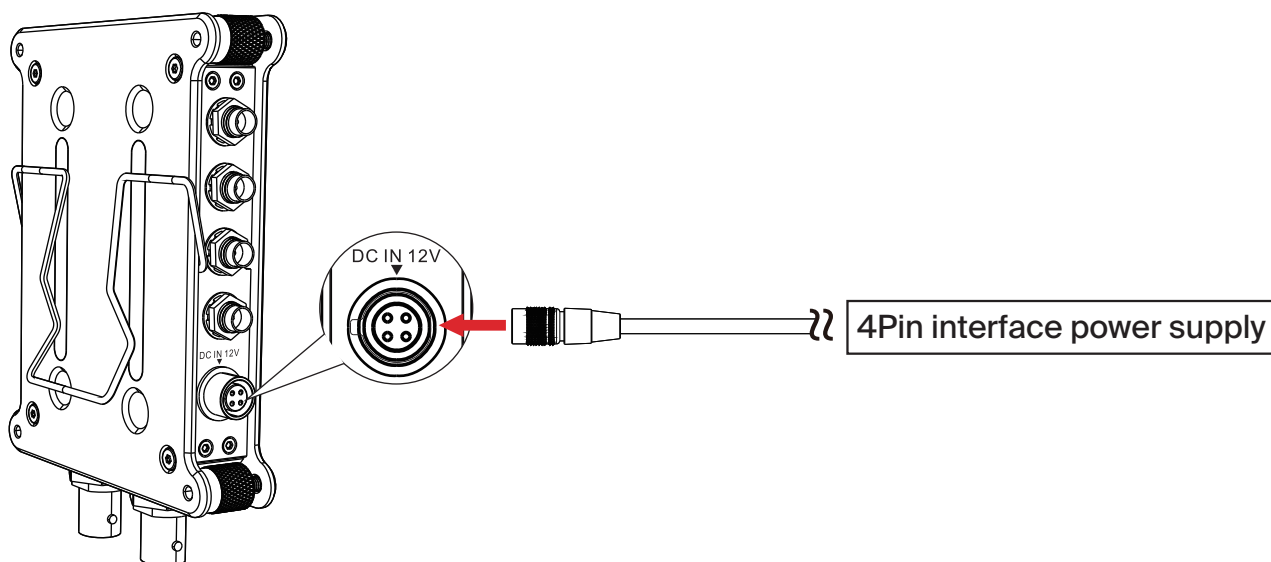
User Manual



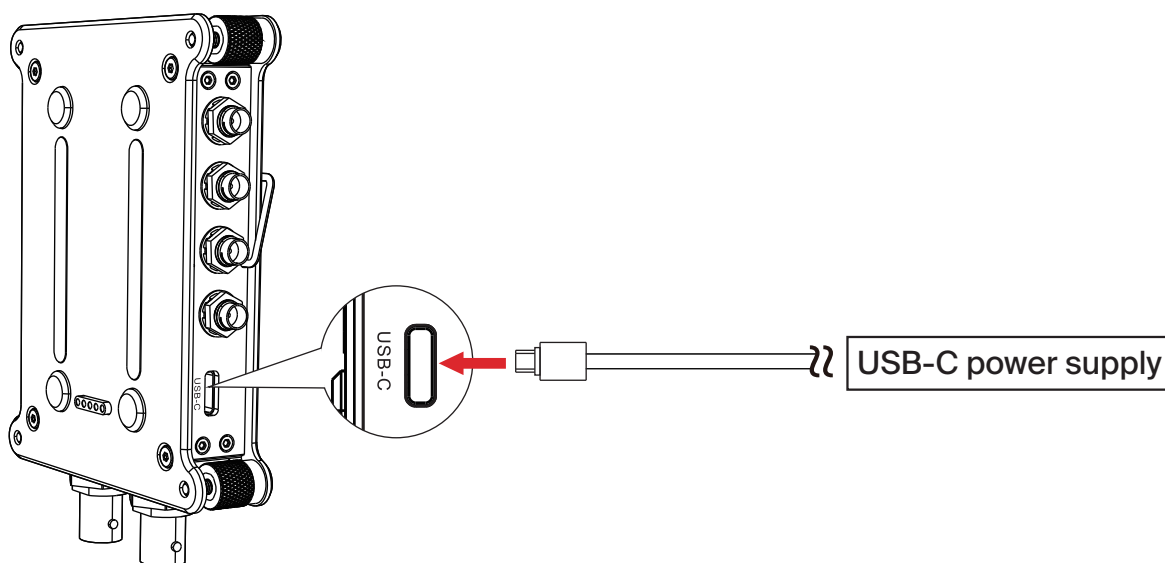
Instruction

Connect to the power supply

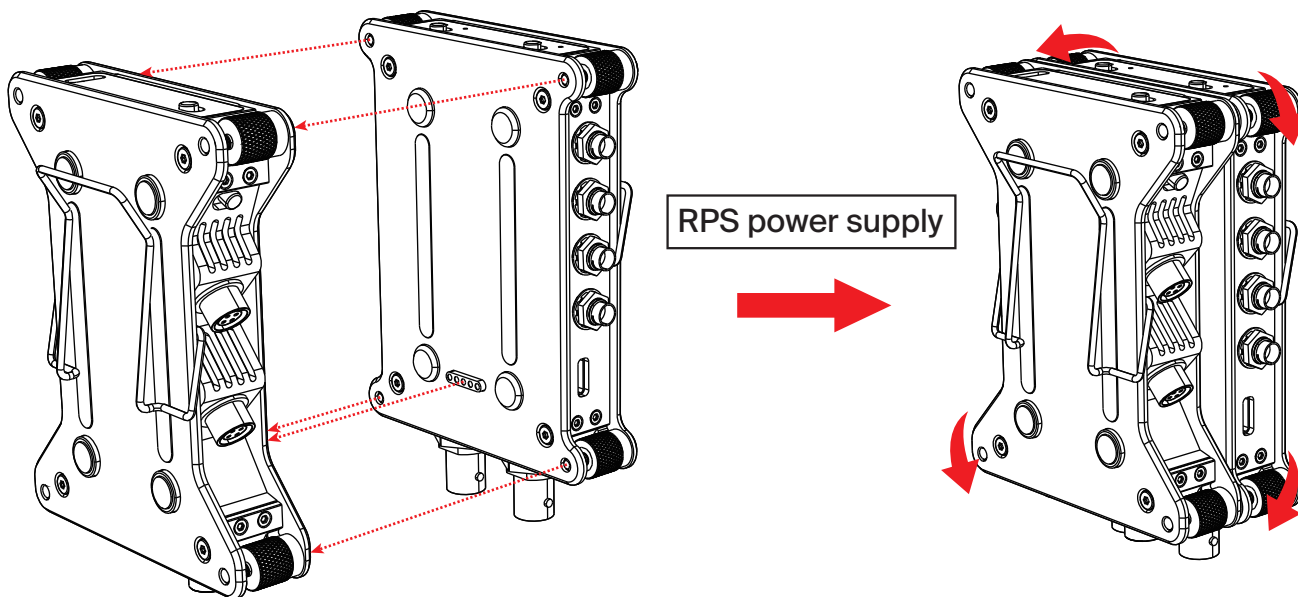
1. It supports 4Pin interface power supply. When in use, the HRS interface cable connected to the power supply needs to be connected to the power supply interface of SRD mini, so as to drive the RF splitter to work normally.



2. It supports USB-C power supply. When using, insert the USB-C power supply cable connected to the power source into the USB-C power input port located on the side of the device, and the RF splitter can work normally.

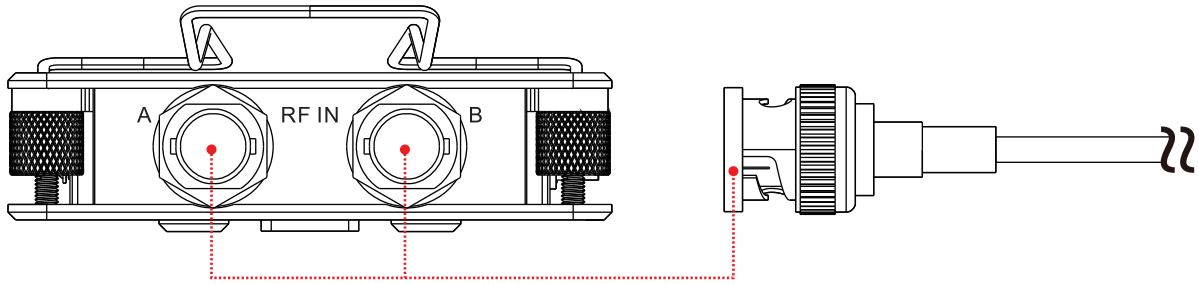


3. It supports the RPS power supply interface. When using, connect the SPD mini power distributor connected to the power source through the RPS interface, and lock the locking screws located on the four corners of the body with the corresponding screw holes on the SPD mini, thus enabling the RF splitter to operate normally.

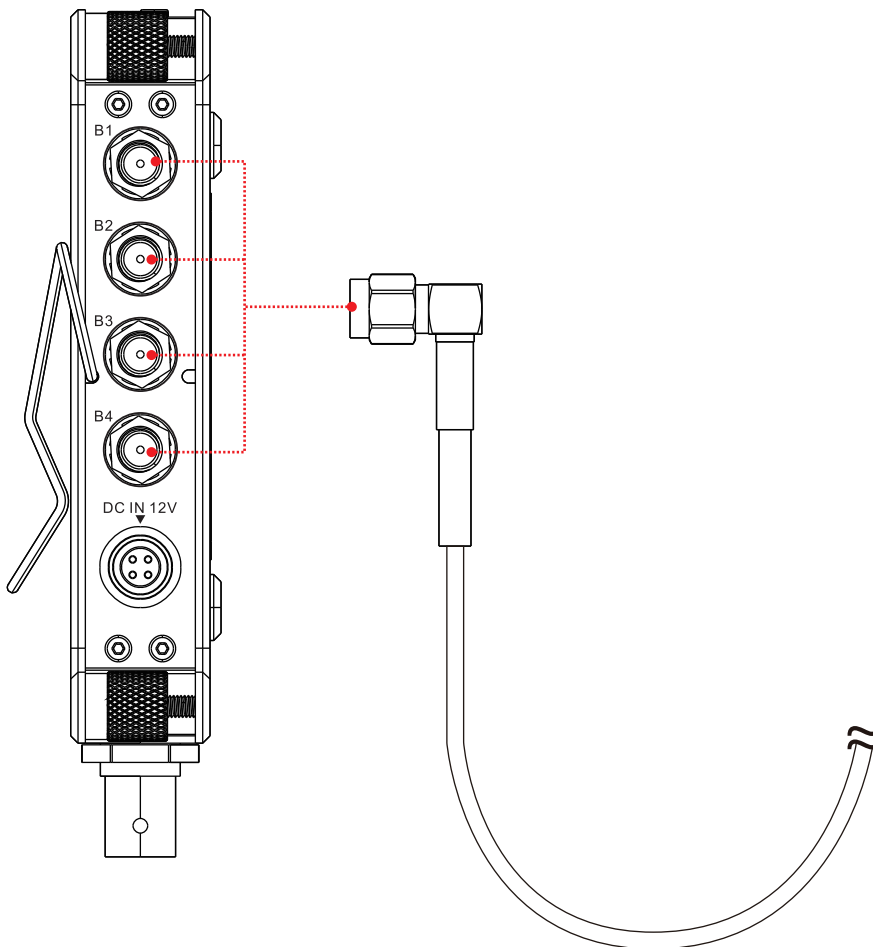


Radio frequency signal distribution

Input: Wireless radio frequency signals can be input into the radio frequency distributor through the BNC radio frequency input interface located at the bottom of the SRD mini body.

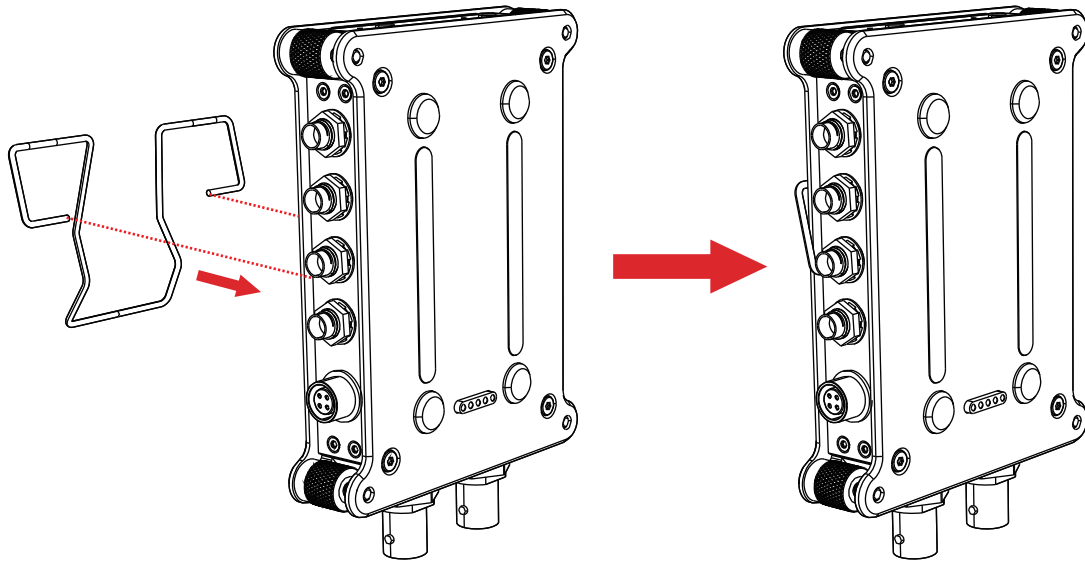


Output: The RF output interface (SMA connector) on the SRD mini can be connected to the RF receiving port on the wireless device using appropriate cables, allowing for the distribution of wireless signals.



Installation of steel wire clip

Install the matching steel wire clip into the installation holes located on both sides of the fuselage. Insert the fixing heads on both sides into the holes to complete the installation of the steel wire clip.



Button Functions

Active Antenna Power Supply Switch: If you are connected to an active antenna, you can turn on the active antenna power supply switch to provide power to your antenna.

Note: If you are using a passive antenna, you do not need to turn on this switch and it can still function normally.

Power Switch: When using the SRD mini radio frequency splitter, turn the power switch to "ON" to power on the device and use the radio frequency splitting function normally.

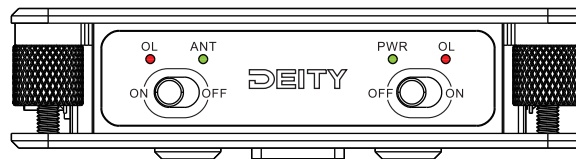


Light Display

When the "PWR" light is on, the device is powered on and can be used normally.

When the "ANT" light is on, it indicates that the device has activated the active antenna power supply function, and it can now provide power to the active antenna for use.

When the "OL" red light is on, it indicates that the RF signal on the corresponding port has experienced overload. It is necessary to check the input signal strength.



Parameter Introduction

Frequency range	470MHz~ 1 GHz
Gain	+3~9 dB
Port isolation	>20dB(minimum)
Input impedance	50Ω
Output impedance	50Ω
The maximum input signal at the front end	+13dBm
Overload signal	0dBm
Noise factor	<1.5 dB
Working voltage	USB-C: 5V DC HRS4: 12V–16.8V DC
Working current consumption	<160 mA (HRS4)
Shell material	Aluminum alloy
RF Input Interface	BNC
RF output Interface	SMA
Size	115.5×78×20.8 mm
Weight	185.5g

All the above data were measured by DEITY Audio Labs and should be based on the actual product data!

Note: The illustrations in this manual are for reference only. Due to the continuous development of new versions of the product, if there are any differences between the product and the illustrations in the user manual, please refer to the product itself.

List of Additional Parts to Purchase

RG174: 45cm SMA-SMA Signal Cable



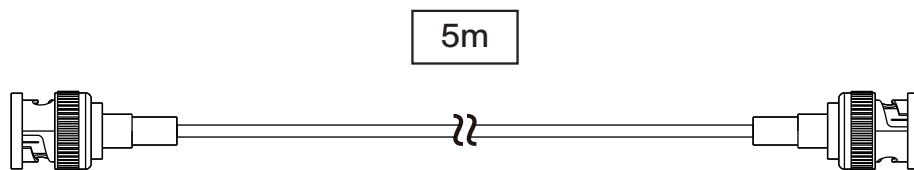
RG174: 45cm BNC-SMA Signal Cable



RG174: 45cm BNC-BNC Signal Cable



RG58: 5m BNC-BNC Signal Cable



Disclaimer

Please read the User's Manual before usage to ensure that you have fully understood the instructions and can correctly operate the device. After your reading, please keep the User's Manual properly for reference in the future. If you fail to operate the product correctly, you may get injured seriously or harm others seriously, or damage the product and result in your property damage. Your operation of the product will be deemed that you have understood, recognized and accepted all clauses and content of this document. Users undertake to be responsible for their behaviors and the consequences accordingly. DEITY will not be responsible for all losses arising from users' operation of this product not in accordance with the User's Manual.

The Company reserves the right for the final explanation of this document and all documents relating to the product on the premise of compliance with laws and regulations. No further notice will be given in the event of any update, revision or termination. Please access the official website of DEITY for the up-to-date product information.